



For questions or help with this product contact Tech Support at (570) 546-9663 or techsupport@grizzly.com

MODEL T23093 INDUSTRIAL 3/8" AIR DRILL INSTRUCTIONS

Introduction

Heavy-duty industrial air drill features a paddle trigger with a thumb lock for easy control, a 3/8" chuck, rear air exhaust, and rugged aluminum body with a padded grip. It has an 18,000 RPM free speed with an average 4 CFM air consumption.

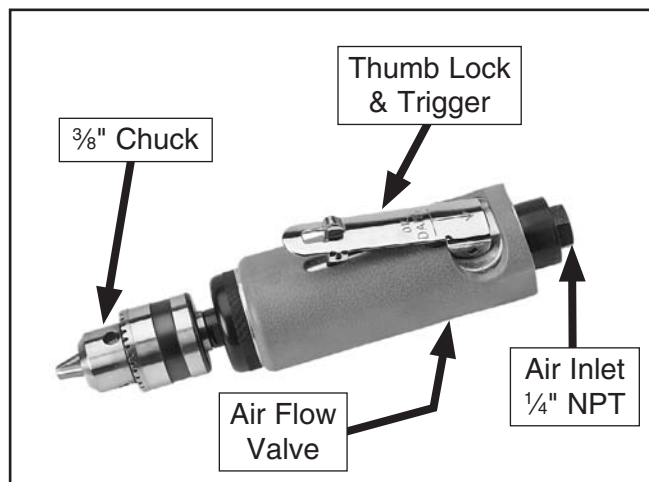


Figure 1. Model T23093.

Inventory

Drill w/Chuck.....	1
Chuck Key	1
Quick-Disconnect Air Inlet Adapter 1/4" NPT.....	1
Bottle for Oil	1

Specifications

Maximum Bit Diameter.....	3/8"
Maximum Free Speed.....	18,000 RPM
Average Air Consumption.....	4 CFM
Air Inlet Size	1/4" NPT
Air Hose Size Required.....	3/8"
Maximum Air Pressure	90 PSI

WARNING

	EYE/EAR INJURY HAZARD! Wear safety glasses and hearing protection during use of this tool!
	INJURY HAZARD! Always disconnect tool from air to prevent unexpected operation during service!
	EXPLOSION HAZARD! Never exceed 90 PSI!

Operation

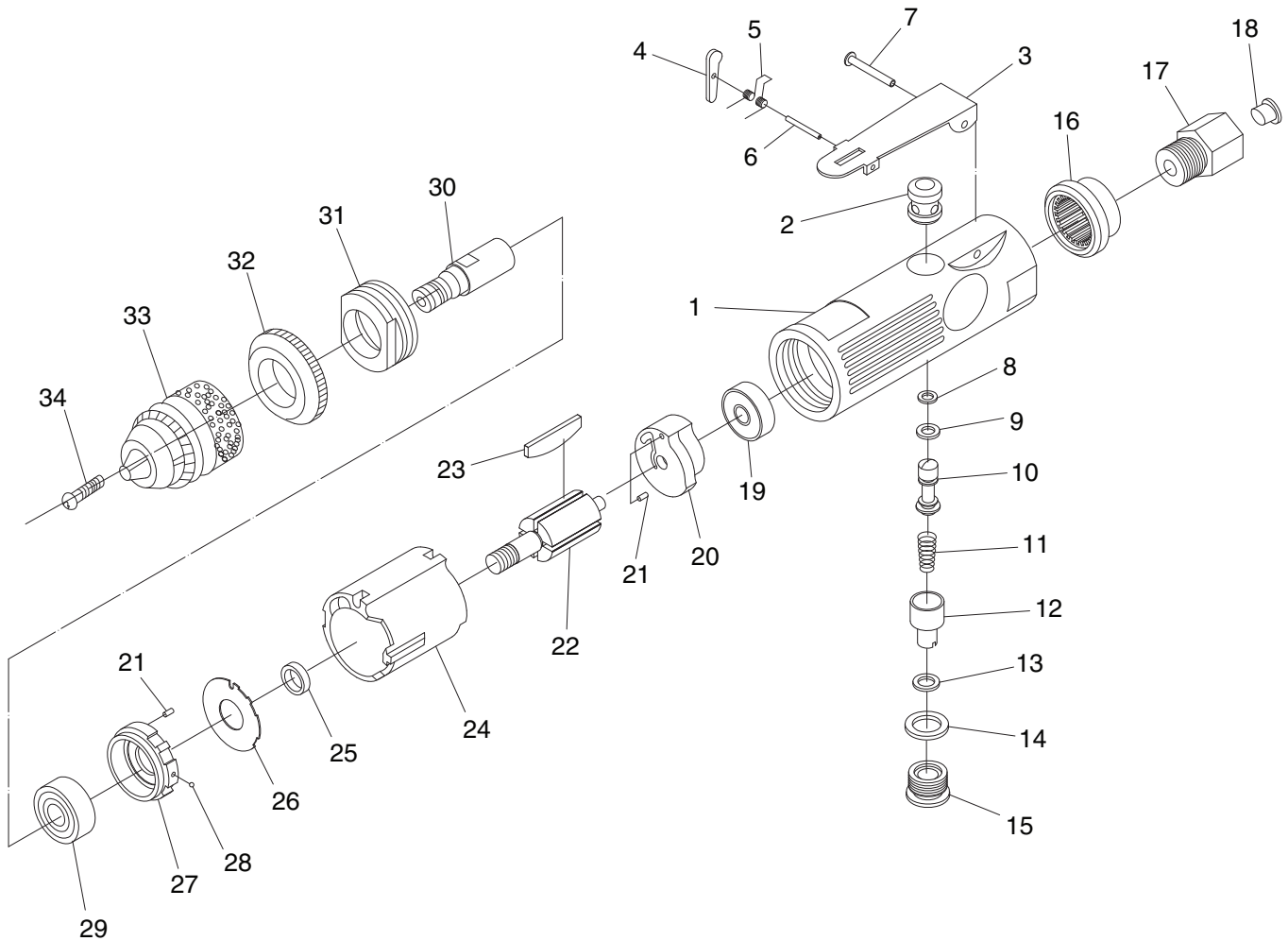
1. Install the bit into the chuck, then tighten it in place with the chuck key.
2. To keep the moving parts lubricated, remove the air inlet protective cap and add 3–4 drops of tool oil into the inlet.
3. Wrap the threads of the quick-disconnect adapter with plumber's tape, then thread it into the air inlet.
4. Attach the drill to clean, regulated compressed air that is no greater than 90 PSI.
5. Move the thumb lock forward, then press the trigger to start the drill.
6. If necessary, adjust the speed of the drill by adjusting the air flow valve located on the body near the air inlet.
7. When finished, disconnect the drill from the compressed air system.

COPYRIGHT © MARCH, 2011 BY GRIZZLY INDUSTRIAL, INC.

WARNING: NO PORTION OF THIS MANUAL MAY BE REPRODUCED IN ANY SHAPE OR FORM WITHOUT THE WRITTEN APPROVAL OF GRIZZLY INDUSTRIAL, INC.

#TS13999 PRINTED IN CHINA

T23093 Parts Breakdown and List



REF PART # DESCRIPTION

REF	PART #	DESCRIPTION
1	N/A	DRILL BODY
2	N/A	VALVE BUSHING
3	N/A	TRIGGER
4	N/A	TRIGGER LOCK
5	N/A	TRIGGER SPRING
6	N/A	ROLL PIN 1.5 X 20
7	N/A	PIN 3 X 20
8	N/A	O-RING 4.8 X 1.6MM
9	N/A	O-RING 5.6 X 2MM
10	N/A	VALVE STEM
11	N/A	VALVE STEM COMPRESSION SPRING
12	N/A	AIR REGULATOR
13	N/A	O-RING 7 X 2MM
14	N/A	O-RING 12 X 3MM
15	N/A	VALVE PLUG
16	N/A	MUFFLER COVER
17	N/A	AIR INLET
18	N/A	AIR INLET PLUG
19	P626ZZ	BALL BEARING 626ZZ
20	N/A	ROTOR BRACKET
21	N/A	ROLL PIN 2 X 6
22	N/A	ROTOR
23	N/A	ROTOR BLADE
24	N/A	ROTOR CYLINDER
25	N/A	ROTOR BUSHING
26	N/A	CYLINDER END PLATE
27	N/A	CYLINDER END CAP
28	N/A	STEEL BALL 2MM
29	N/A	BALL BEARING 6000Z
30	N/A	CHUCK SEAT
31	N/A	CHUCK RETAINER
32	N/A	RUBBER CUSHION
33	N/A	CHUCK
34	N/A	CHUCK SCREW

REF PART # DESCRIPTION

REF	PART #	DESCRIPTION
18	N/A	AIR INLET PLUG
19	P626ZZ	BALL BEARING 626ZZ
20	N/A	ROTOR BRACKET
21	N/A	ROLL PIN 2 X 6
22	N/A	ROTOR
23	N/A	ROTOR BLADE
24	N/A	ROTOR CYLINDER
25	N/A	ROTOR BUSHING
26	N/A	CYLINDER END PLATE
27	N/A	CYLINDER END CAP
28	N/A	STEEL BALL 2MM
29	N/A	BALL BEARING 6000Z
30	N/A	CHUCK SEAT
31	N/A	CHUCK RETAINER
32	N/A	RUBBER CUSHION
33	N/A	CHUCK
34	N/A	CHUCK SCREW

Parts breakdown provided for reference only. Not all parts shown are available for purchase.

